

# Rear Fender Installation Instructions

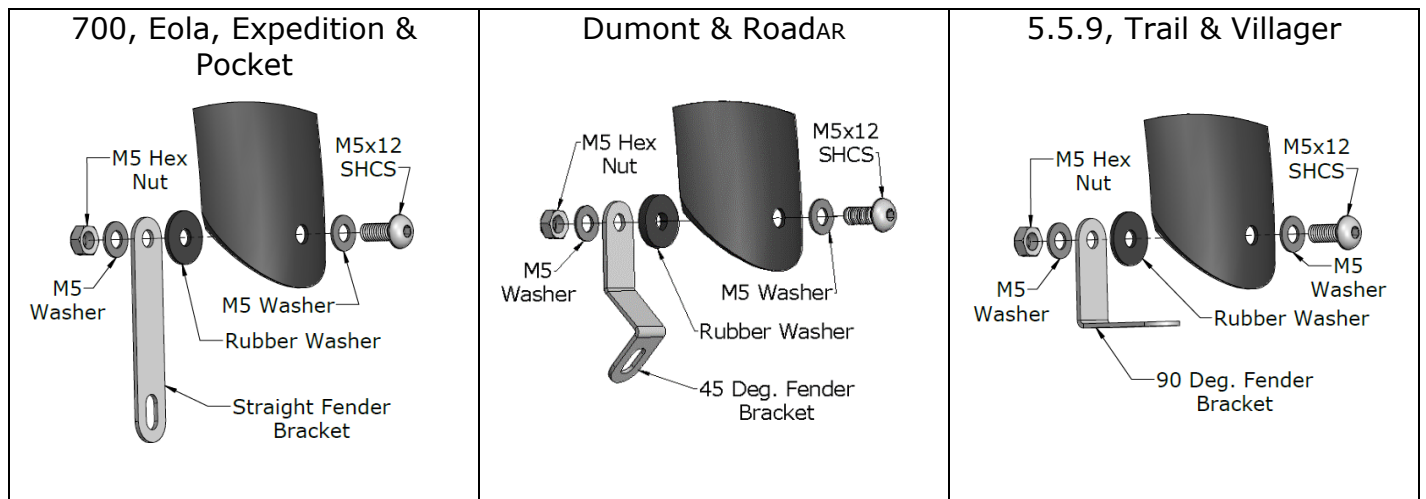
[Knowledge.Catrike.com](http://Knowledge.Catrike.com)

| Part Description        | QTY |
|-------------------------|-----|
| Rear Fender             | 1   |
| Fender Stay             | 4   |
| Straight Fender Bracket | 1   |
| 45 Deg. Fender Bracket  | 1   |
| 90 Deg. Fender Bracket  | 1   |
| M5x16 BHCS              | 1   |
| M5x12 SHCS              | 4   |
| M5x12 BHCS              | 1   |

| Part Description | QTY |
|------------------|-----|
| M5x14 SHCS       | 2   |
| M5 Washer        | 10  |
| M5 Hex Nut       | 2   |
| Rubber Washer    | 4   |
| Eyelet Bolt      | 4   |
| M6 Hex Nut       | 4   |
| Rubber Cap       | 4   |

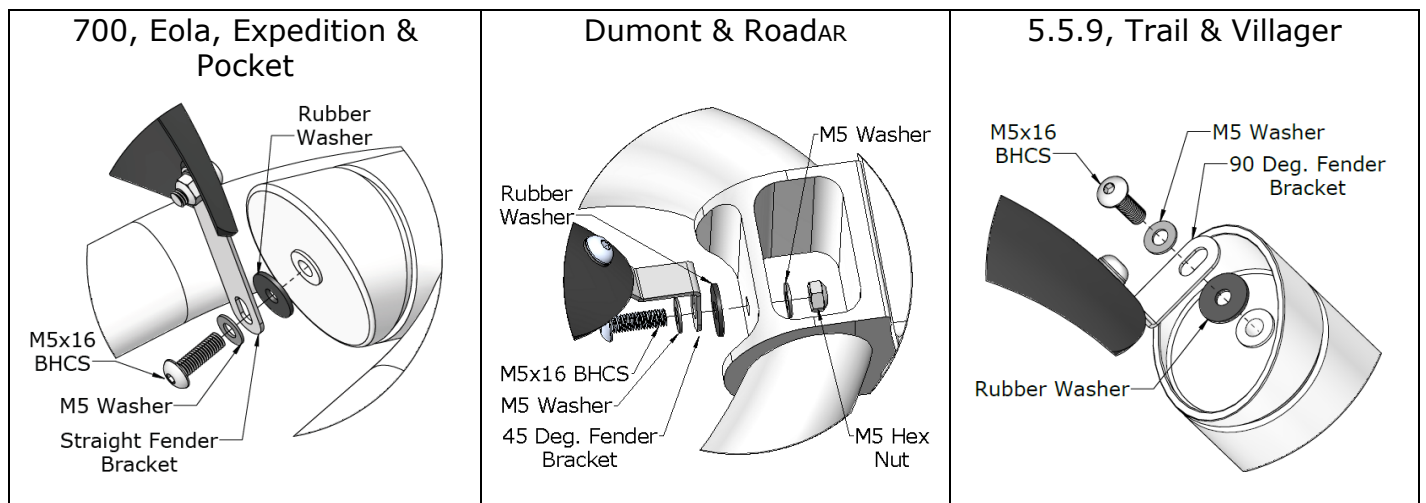
## Fender Bracket to Fender:

Assemble the fender bracket to the mounting hole at the front of the rear fender.



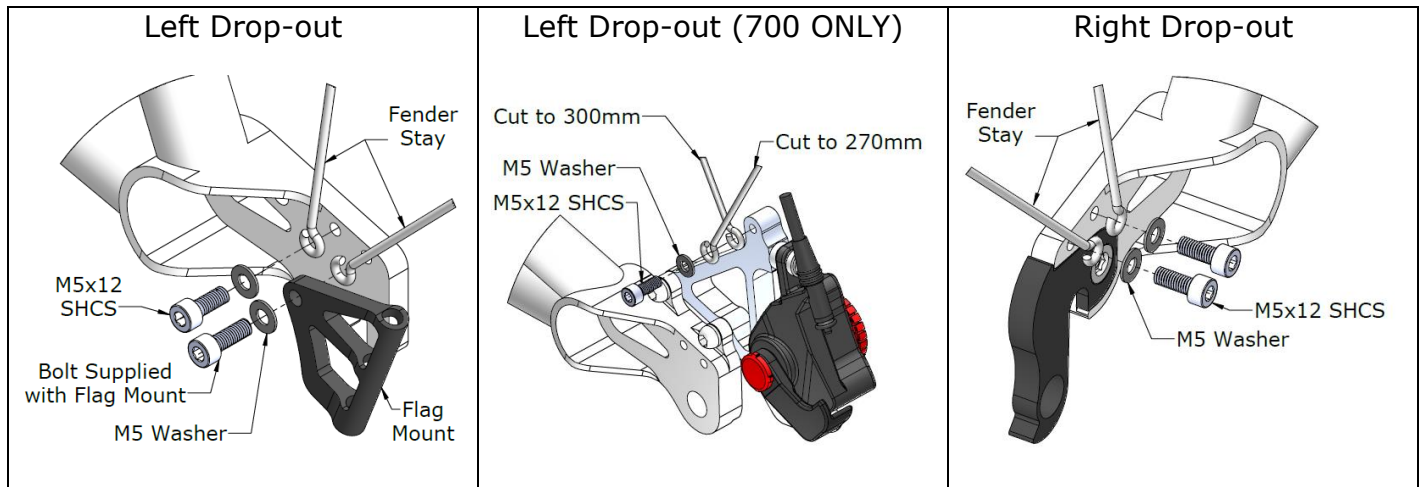
## Fender Bracket to Frame:

Assemble rear fender bracket to the mounting hole located at the end of the trike frame. Dumont and Road mounting hole is located on the swingarm.



### Fender Stays to Drop-outs:

Bolt fender stays to the threaded holes at the top of the rear drop-outs. For 700 models equipped with the rear brake mount, both left drop-out fender stays mount to the threaded hole at the top of the rear brake mount.



### Fender Stays to Fender:

Slide fender stay into eyelet bolt. Insert fender stay with eyelet bolt into fender stay bracket. Partially thread M6 hex nut to eyelet bolt. Center rear fender over rear wheel and tighten M6 hex nuts. Slide rubber end caps onto end of fender stays.

