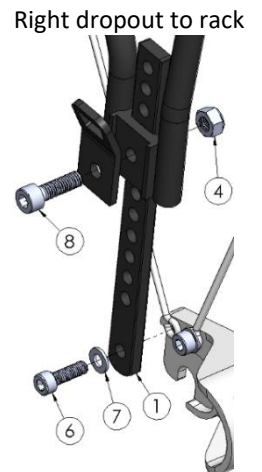
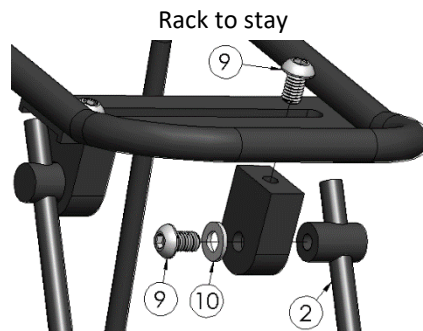
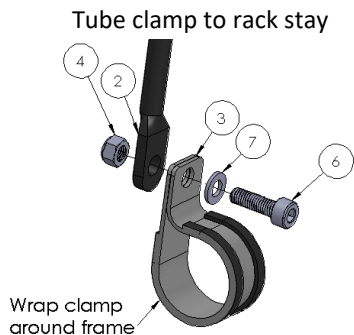
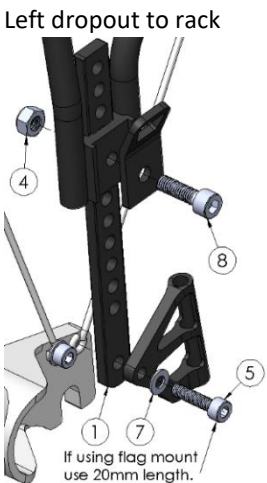
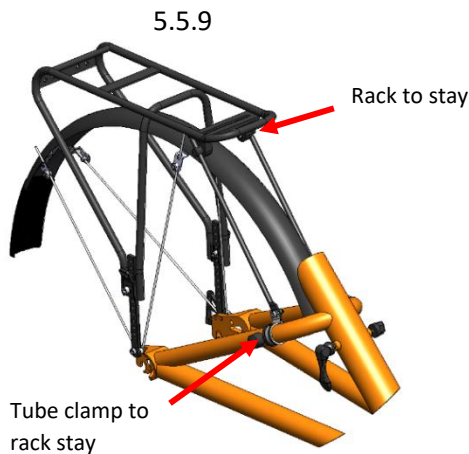
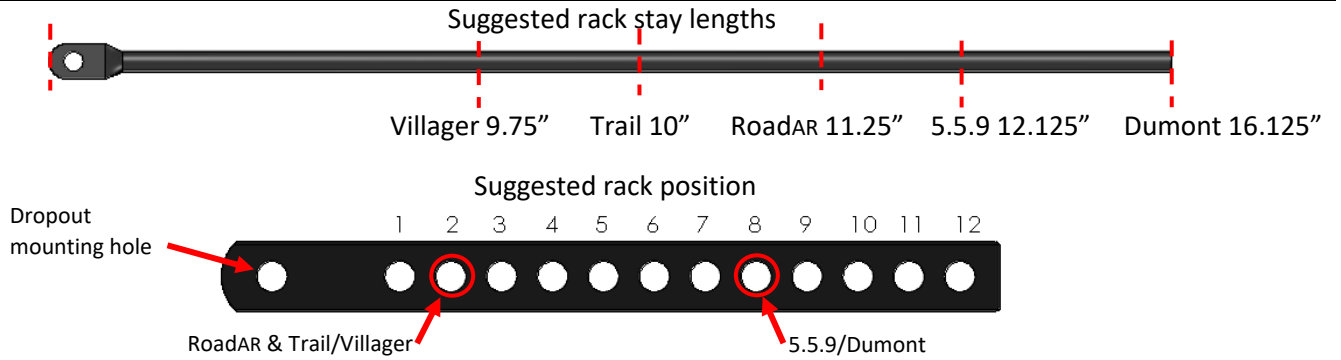


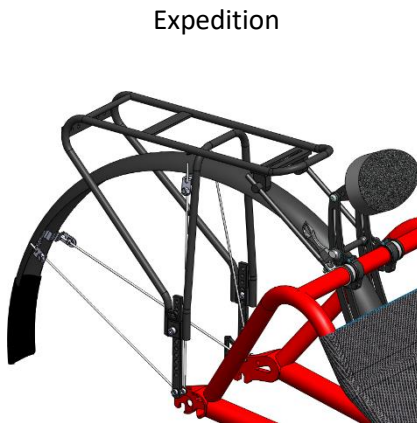
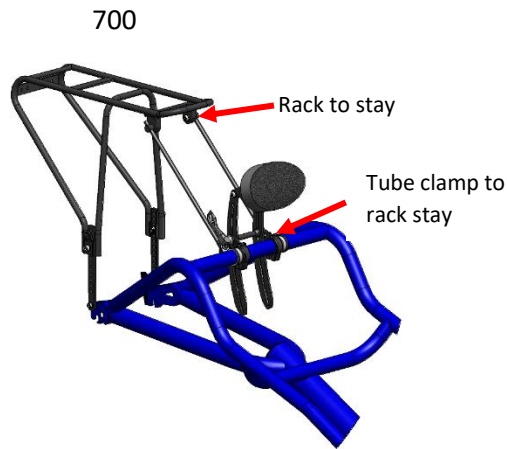
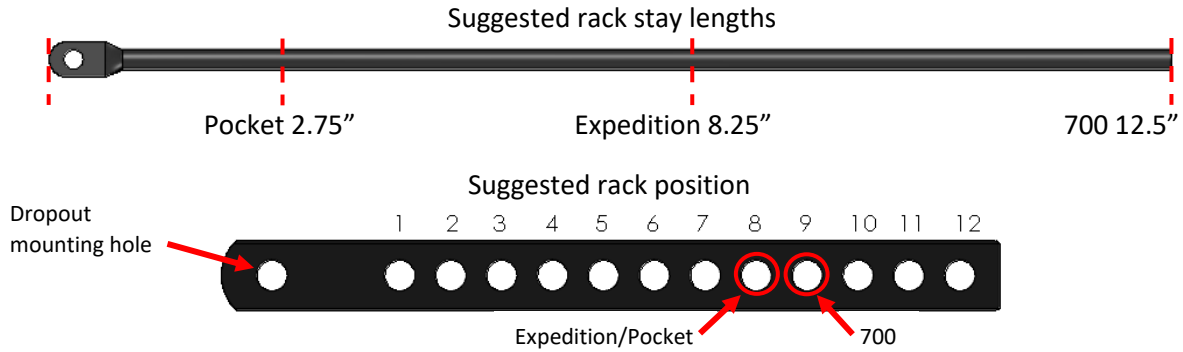
5.5.9, Dumont, RoadAR, Trail & Villager Rack Instructions

ITEM NO.	PART DESCRIPTION	NOTE	QTY.
1	RACK		1
2	RACK STAY	Cut to length	2
3	1" TUBE CLAMPS		2
4	M5 HEX NUT		4
5	M5x20 SHCS	Socket head cap screw, 20mm length	1
6	M5x16 SHCS	Socket head cap screw, 16mm length	4
7	M5 WASHER		4
8	M5x14 BHCS	Button head cap screw, 14mm length	6
9	M6x12 BHCS	Button head cap screw, 12mm length	4
10	M6 WASHER		2
11	1.25" TUBE CLAMP	For RoadAR	2



700, Expedition & Pocket Rack Instructions

ITEM NO.	PART DESCRIPTION	NOTE	QTY.
1	RACK		1
2	RACK STAY	Cut to length	2
3	1" TUBE CLAMPS		2
4	M5 HEX NUT		4
5	M5x20 SHCS	Socket head cap screw, 20mm length	1
6	M5x16 SHCS	Socket head cap screw, 16mm length	4
7	M5 WASHER		4
8	M5x14 BHCS	Button head cap screw, 14mm length	6
9	M6x12 BHCS	Button head cap screw, 12mm length	4
10	M6 WASHER		2
11	M5x12 SHCS	Socket head cap screw, 12mm length	1



Left dropout to rack

Right dropout to rack

