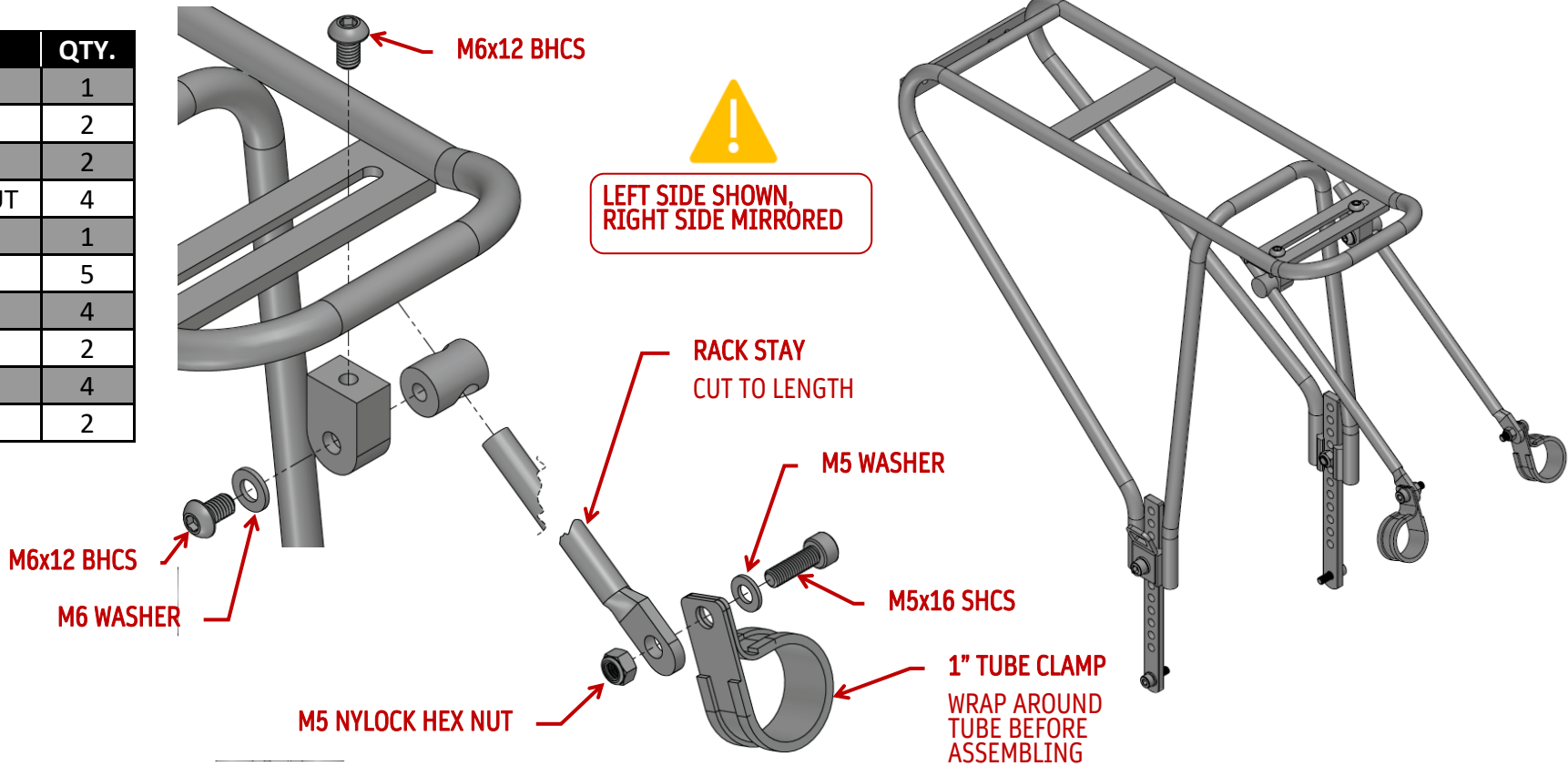


CATRIKE RACK INSTRUCTIONS

DESCRIPTION	QTY.
RACK ASSEMBLY	1
RACK STAY	2
1" TUBE CLAMP	2
M5 NYLOCK HEX NUT	4
M5x20 SHCS	1
M5x16 SHCS	5
M5 WASHER	4
M5x14 BHCS	2
M6x12 BHCS	4
M6 WASHER	2

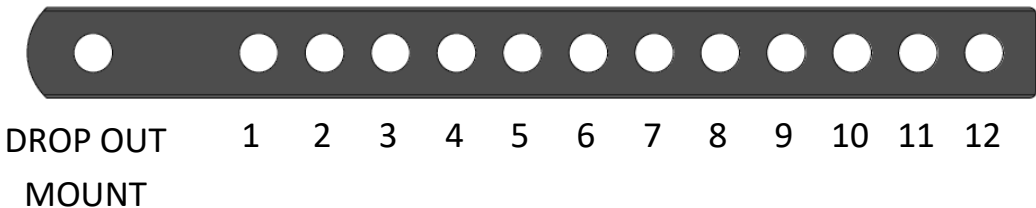


TRIKE	MOUNTING HOLE POSITION	RACK STAY CUT LENGTH
700	9	12.5"
5.5.9.	8	12.125"
All Road	2	7.75"
Dumont	8	16.125"
Expedition	8	8.25"
MAX	2	8.5"
Pocket	8	2.75"
Trail	2	10"
Villager	2	9.75"

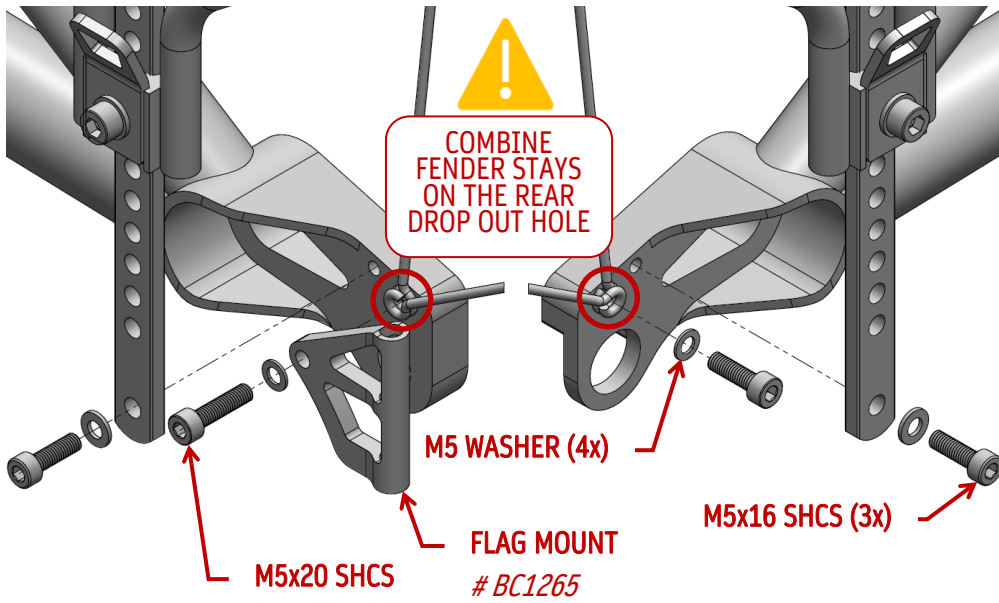
RACK STAY CUT LENGTH MEASUREMENT



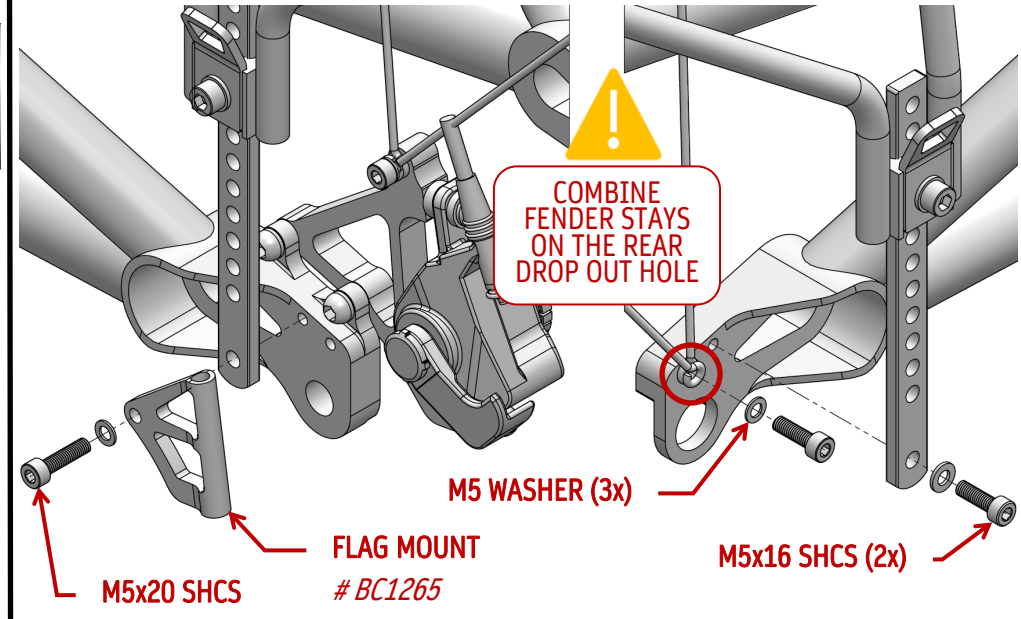
RACK MOUNTING HOLE POSITIONS



ALL TRIKES DROPOUT MOUNTING (expt. 700)



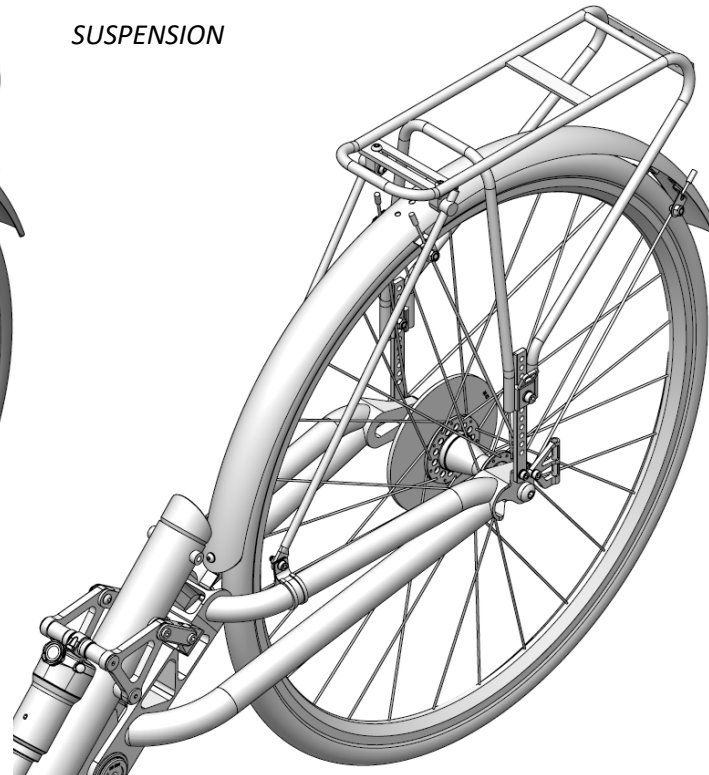
700 DROPOUT MOUNTING



**700, EXPEDITION & POCKET
SPACEFRAME**



**ALL ROAD & DUMONT
SUSPENSION**



**5.5.9, MAX, TRAIL & VILLAGER
FOLDING & ADJUSTABLE SEAT**

