

CATRIKE REAR FENDER INSTRUCTIONS



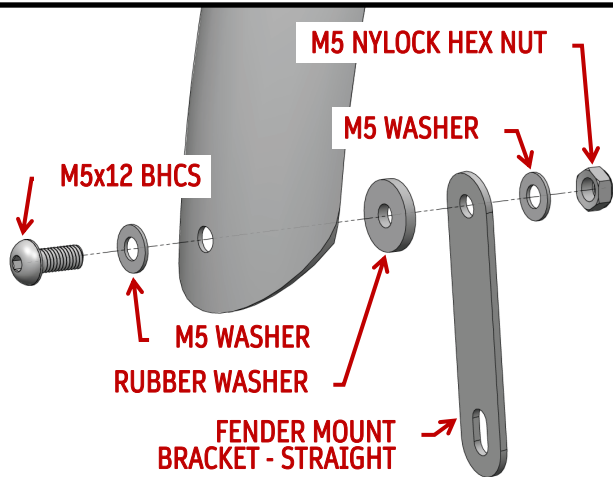
DESCRIPTION	QTY.
REAR FENDER ASSEMBLY	1
FENDER STAY	4
STRAIGHT FENDER BRACKET	1
45 DEG FENDER BRACKET	1
90 DEG FENDER BRACKET	1

DESCRIPTION	QTY.
M5x16 BHCS	1
M5x12 SHCS	4
M5x12 BHCS	1
M5x14 SHCS	2
M5 WASHER	10

DESCRIPTION	QTY.
M5 NYLOCK HEX NUT	2
RUBBER WASHER	4
EYELET BOLT	4
M6 HEX NUT	4
RUBBER CAP	4

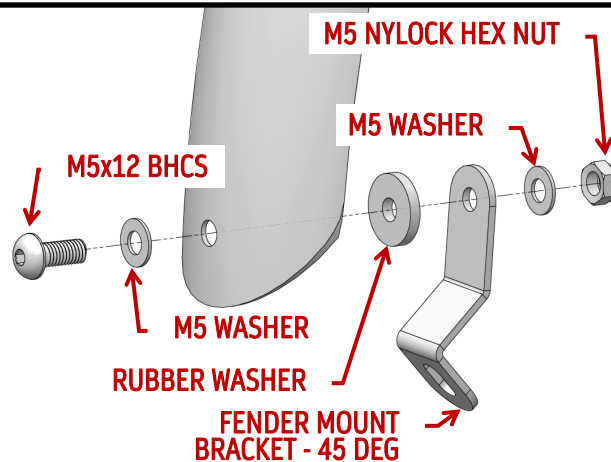
700, EXPEDITION & POCKET

SPACEFRAME



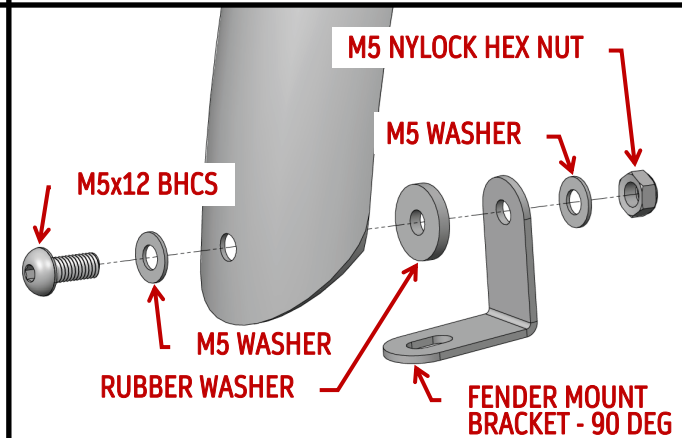
DUMONT

SUSPENSION



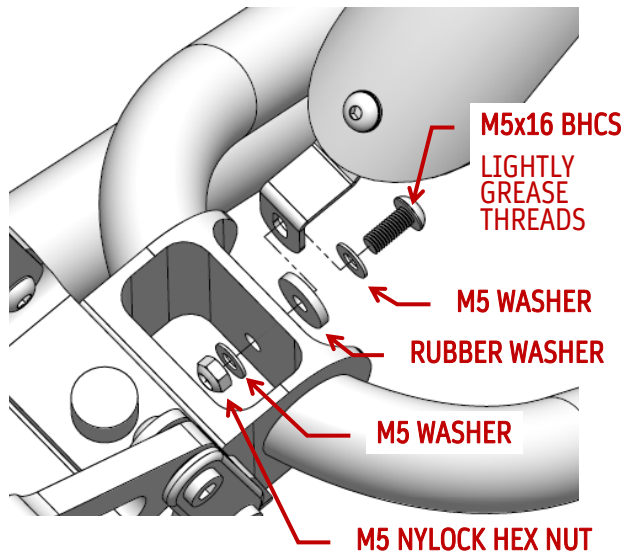
5.5.9, ALL ROAD, MAX, TRAIL & VILLAGER

FOLDING & ADJUSTABLE SEAT

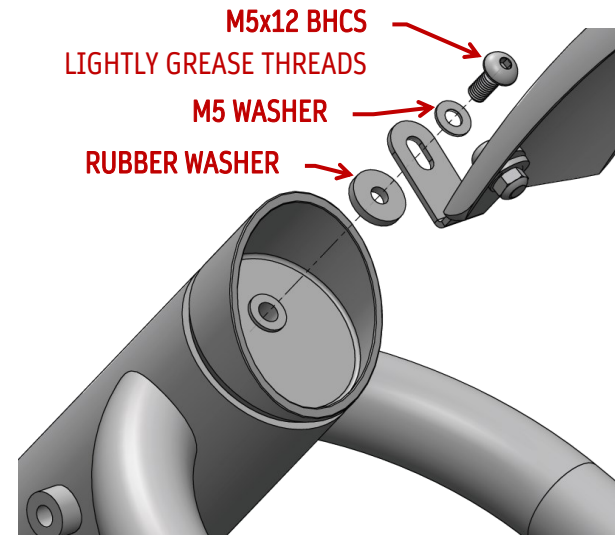


ALL ROAD & DUMONT

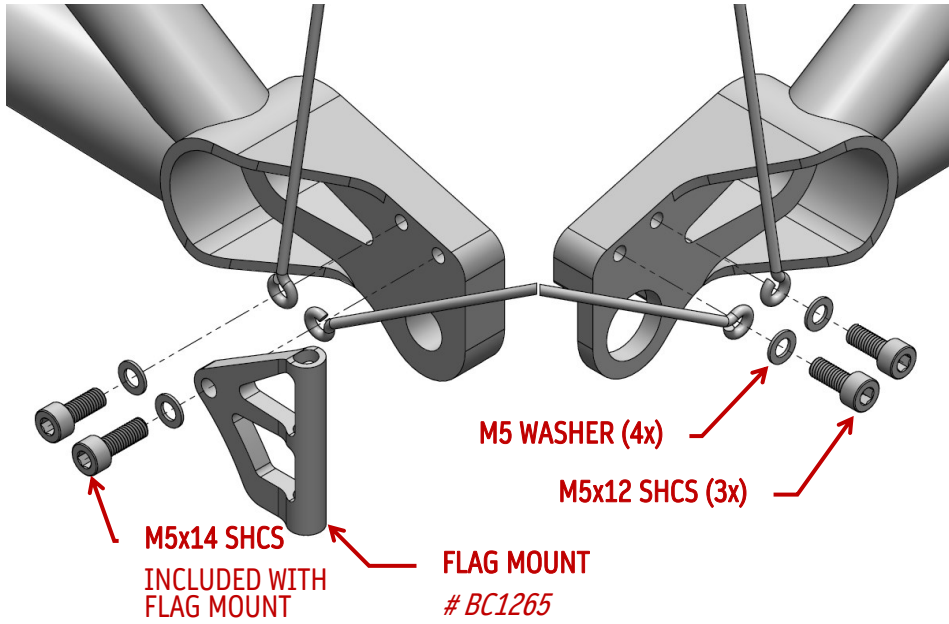
SUSPENSION



700, 5.5.9,
EXPEDITION, MAX,
POCKET, TRAIL &
VILLAGER
SPACEFRAME, FOLDING &
ADJUSTABLE SEAT



ALL TRIKES DROPOUT MOUNTING (expt. 700)



700 DROPOUT MOUNTING

