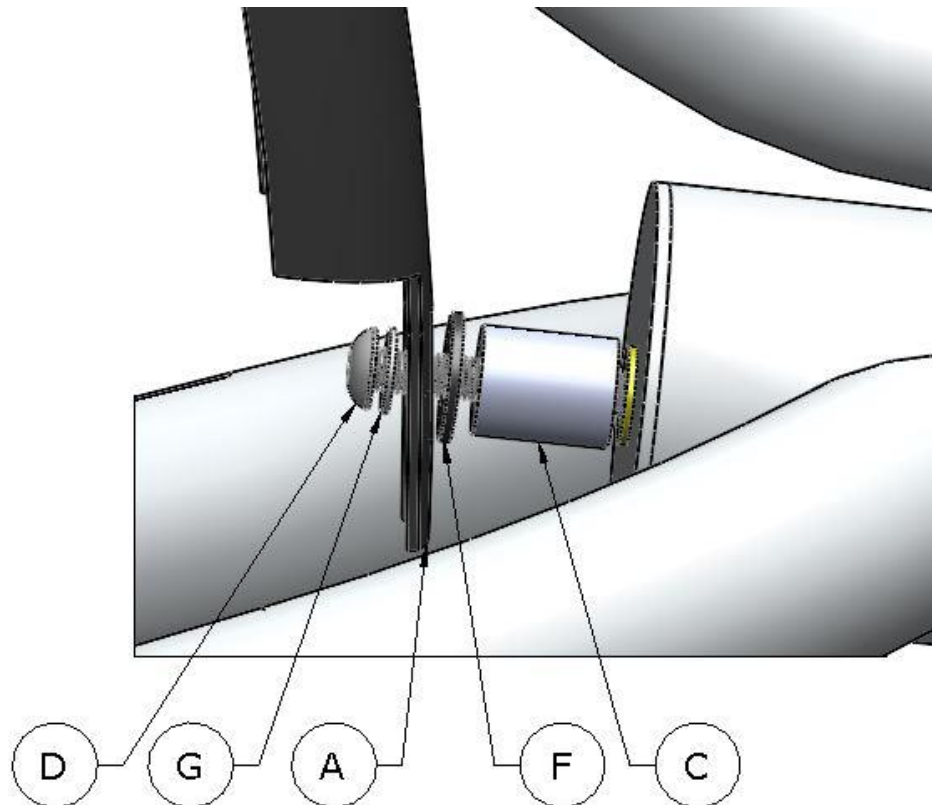




Big Cat HPV, LLC  
2016 Stanhome Way  
Orlando, FL 32804

## Rear Fender Set 700c

| PART NUMBER | PART NAME         | QTY | COMMENTS                    |
|-------------|-------------------|-----|-----------------------------|
| A           | REAR FENDER       | 1   |                             |
| B           | WIRE FENDER STAYS | 4   |                             |
| C           | 16mm SPACER       | 1   |                             |
| D           | M5X30 BHCS        | 1   | 30mm LONG BUTTON HEAD SCREW |
| E           | M5x16 SHCS        | 2   | 16mm LONG SOCKET HEAD SCREW |
| F           | RUBBER WASHER     | 1   |                             |
| G           | M5 WASHER         | 3   |                             |



1. With rear wheel removed, assemble fender to riv nut on the end of the mainframe in order shown.
2. Using the M5X16 SHCS and M5 washers, bolt the 4 long wire fender stays provided with the fender into the threaded holes at the top of the drop outs.
3. Attach the fender stay clips to the fender and tighten the screws.

