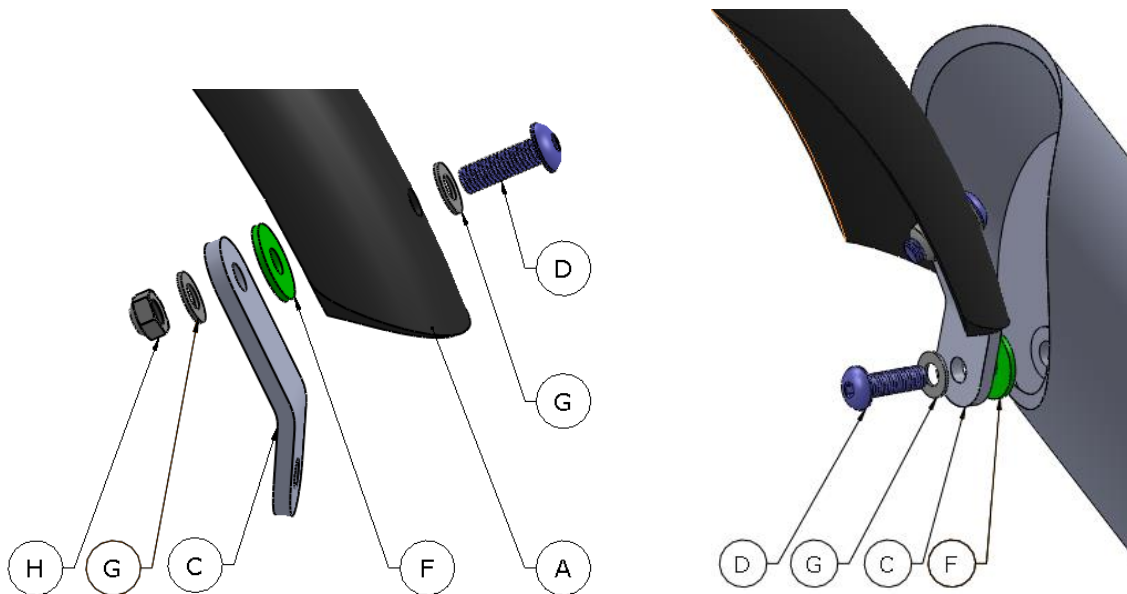




Rear Fender Set Trail and Villager

PART NUMBER	PART NAME	QTY	COMMENTS
A	REAR FENDER	1	
B	WIRE FENDER STAYS	2	
C	REAR FENDER BRACKET	1	
D	M5 BUTTON HEAD BOLT	2	16mm LONG BUTTON HEAD SCREW
E	M5x12 SHCS	2	12mm LONG SOCKET HEAD SCREW
F	RUBBER WASHER	2	
G	M5 WASHER	5	
H	M5 HEX NUT	1	



1. Assemble the rear fender bracket to the end of the fender as shown. (Parts A,C,D,F,G,H)
2. Assemble the rear fender bracket to the riv nut in the end of the main frame as shown. (Parts C,D,F,G)
3. Using the M5X12 SHCS and M5 washers, bolt the 2 wire fender stays provided with the fender into the threaded holes at the top of the drop outs. (Parts B,E,G)
4. Attach the fender stay clips to the fender and tighten the screws.

