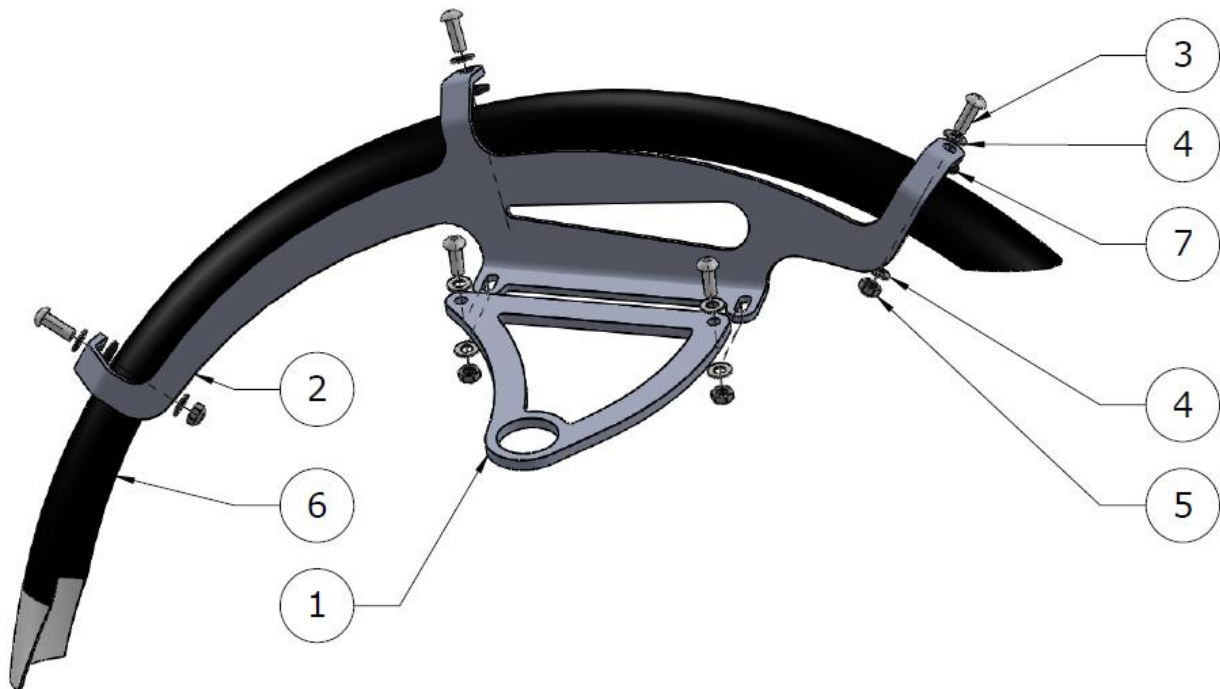




Big Cat HPV, LLC  
2016 Stanhome Way  
Orlando, FL 32804

## Front Fender Set

PART NUMBER	PART NAME	QTY	COMMENTS
1	FLAT BRACKET	2	
2	FRONT FENDER MOUNT	2	1 LEFT, 1 RIGHT
3	M5 BUTTON HEAD SCREW	10	
4	M5 FLAT WASHER	20	
5	M5 NYLON LOCK NUT	10	
6	PLANET BIKE FRONT FENDER	2	2 FRONT
7	M5X16 SHCS	2	16mm LONG SOCKET HEAD SCREW



1. Assemble front fenders as shown, leaving the button head screws attaching Flat Bracket (Part 1) and Front Fender Mount (Part 2) loose.

2. Remove the headset cap and install the fender mount on top of the handlebar and below the headset cap.

3. Center the fender over the wheel and tighten the M5 screws left loose in step 1.

Repeat steps for both sides.